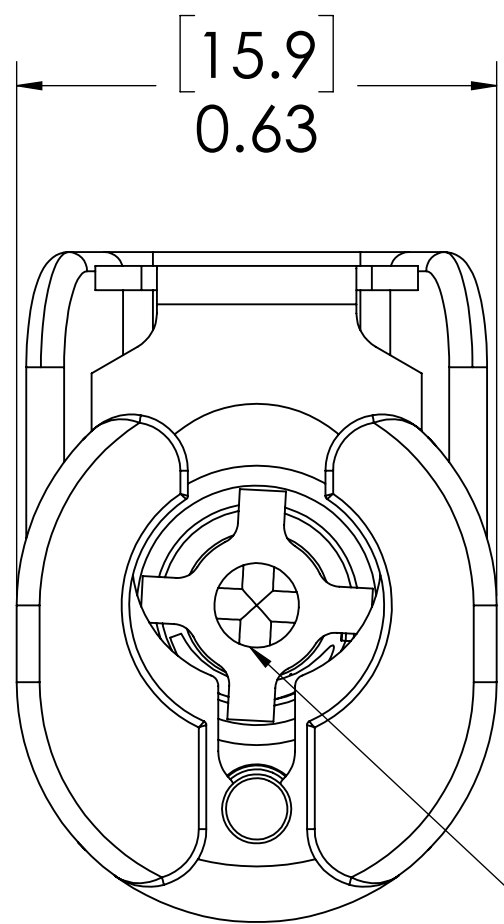
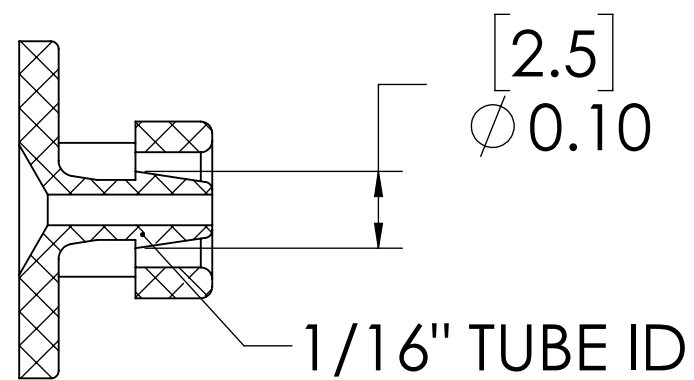


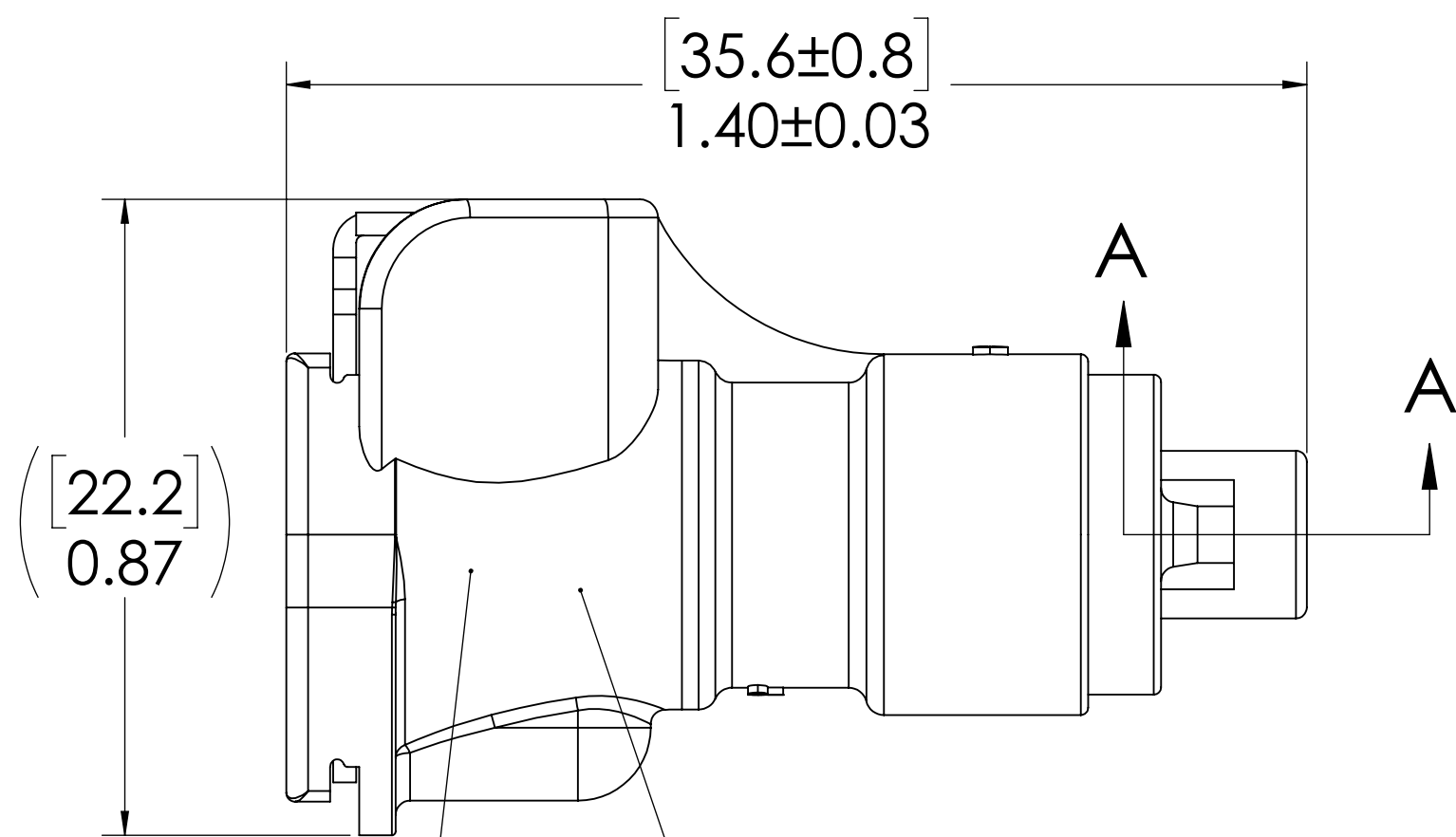
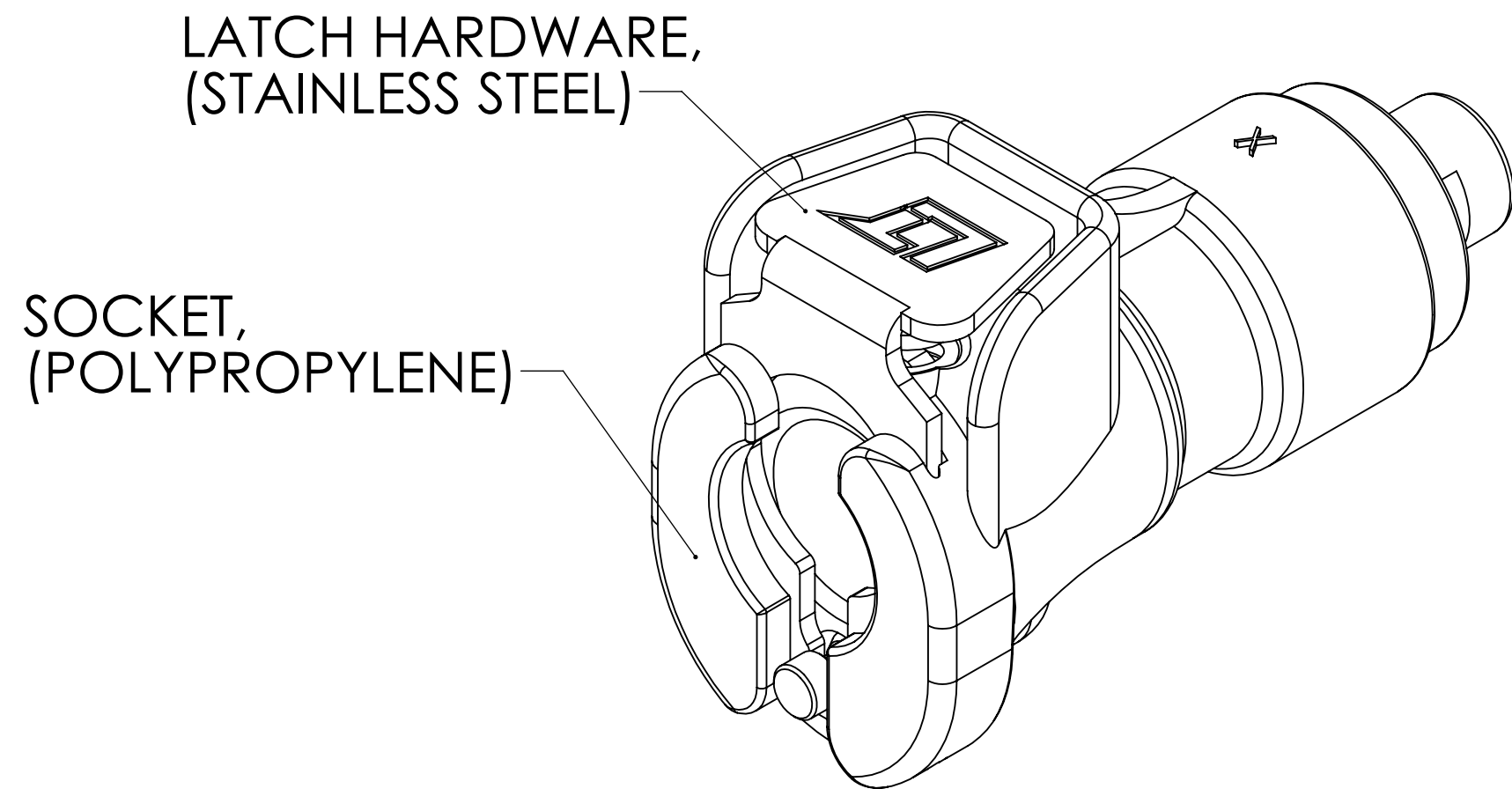
REVISIONS						
SHEET	ZONE	REV.	ECO	DESCRIPTION	DATE	APPROVED
1	ALL	A	50253	INITIAL RELEASE	7/9/2018	HRC



VALVE,
(POLYPROPYLENE)


NOTES:

1. MATERIAL: POLYPROPYLENE
2. COLOR: MOLDED ALMOND
3. O-RING MATERIAL: EPDM
4. O-RINGS LUBRICATED WITH FOOD GRADE SILICONE OIL, 350 CST.



VALVE SPRING,
INTERNAL
(STAINLESS STEEL)

VALVE O-RING,
INTERNAL
(EPDM)

UNLESS OTHERWISE SPECIFIED:		NAME	DATE	 <small>LINKTECH ENGINEERING INC. - MEXICO</small>
DIMENSIONS ARE IN INCHES TOLERANCES: FRACTIONAL ± 1/32 ANGULAR: MACH ± 0.5 BEND ± 2 ONE PLACE DECIMAL ± 0.1 TWO PLACE DECIMAL ± 0.01 THREE PLACE DECIMAL ± 0.005 TWO PLACE DECIMAL (mm) ± 0.12		DRAWN	CGS	
PROPRIETARY AND CONFIDENTIAL THE INFORMATION CONTAINED IN THIS DRAWING IS THE SOLE PROPERTY OF LINKTECH LLC. ANY REPRODUCTION OR DISCLOSURE IN PART OR AS A WHOLE WITHOUT THE WRITTEN PERMISSION OF LINKTECH LLC IS STRICTLY PROHIBITED.		CHECKED	HRC	3/26/18
		ENG APPR.	HRC	6/28/18
		MFG APPR.	BDB	6/28/18
		PRODUCTION	LS	6/28/18
COMMENTS:				PART NO: 20PPV-SE2-01MALD DESCRIPTION: LinkTech 20PP Series Straight Female, Valved, 1/16" HB, Molded Almond Color, Polypropylene
SIZE DWG. NO. REV C 20PP200186 A		SCALE: NTS WEIGHT:		SHEET 1 OF 1